

**HM  
JETS**

Made in Czech Republic



## **3 - blade Scale rotor Head**

### **Size 700/800**

Designed for 700/800 size helicopters. The Head is made from aircraft aluminium with a certificate . Stainless steel fasteners and high quality bearings are used.

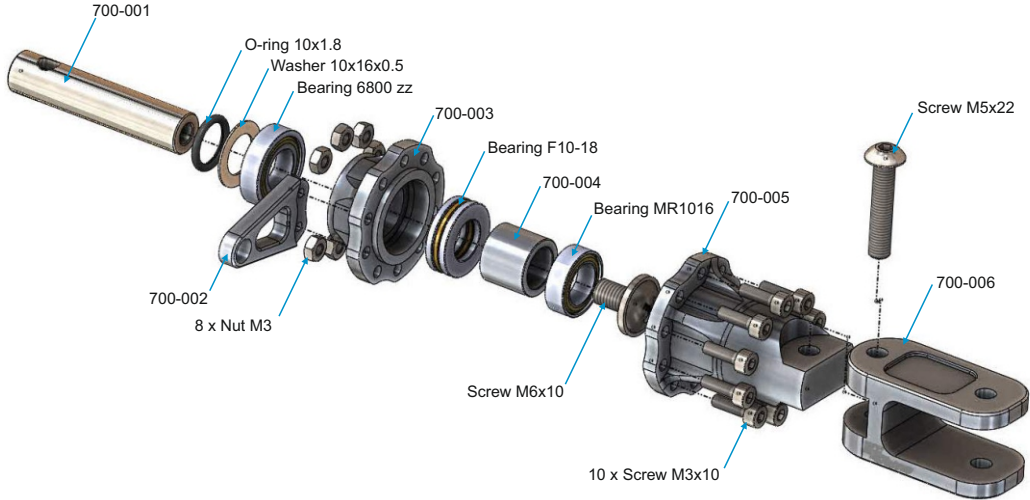
**Caution: The maximum rotation speed is 1500 rpm .  
None of the screws are glued !**

**!!! The screws must be glued by final assembly prior first flight !!!**

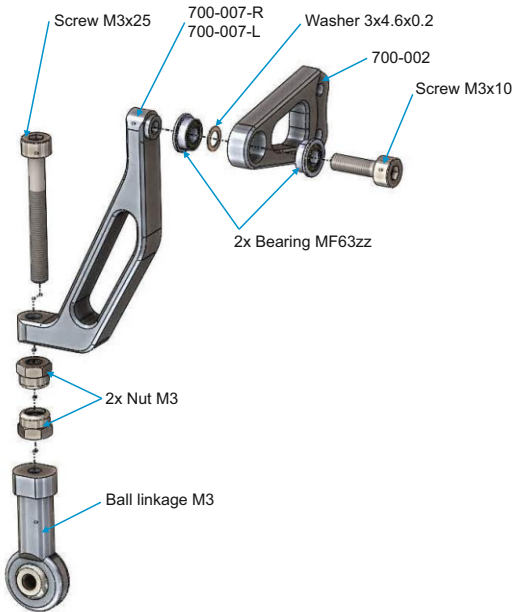
[www.gm-heli.cz](http://www.gm-heli.cz)

# Assembly Section

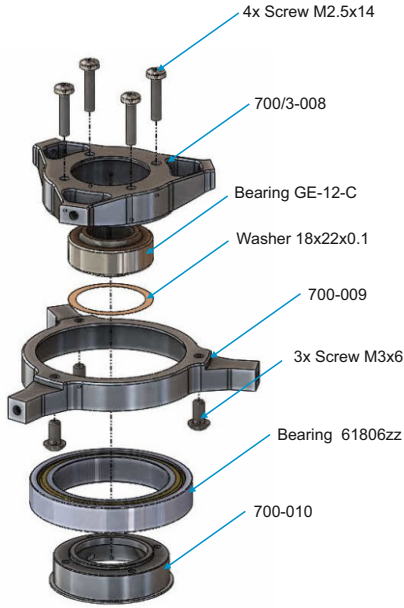
## Main Blade Assembly



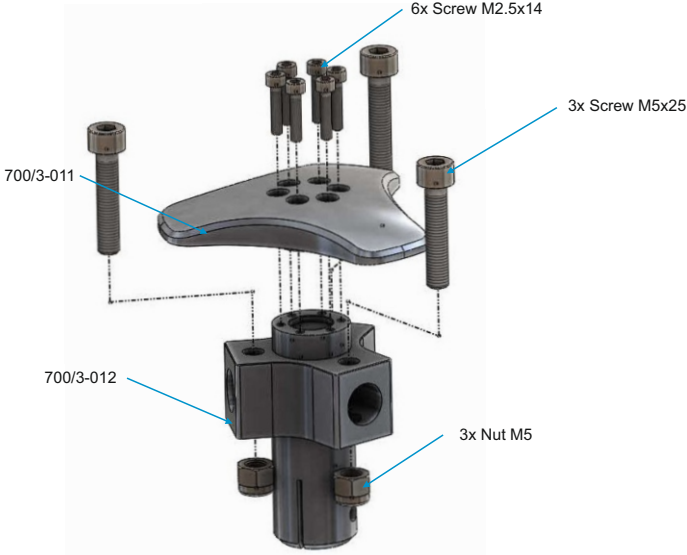
## Linkage Assembly



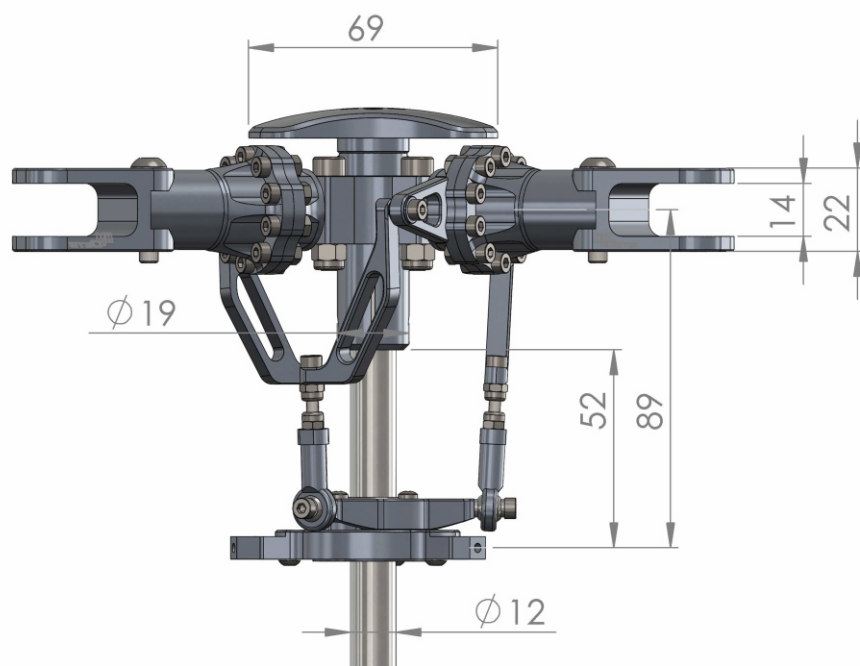
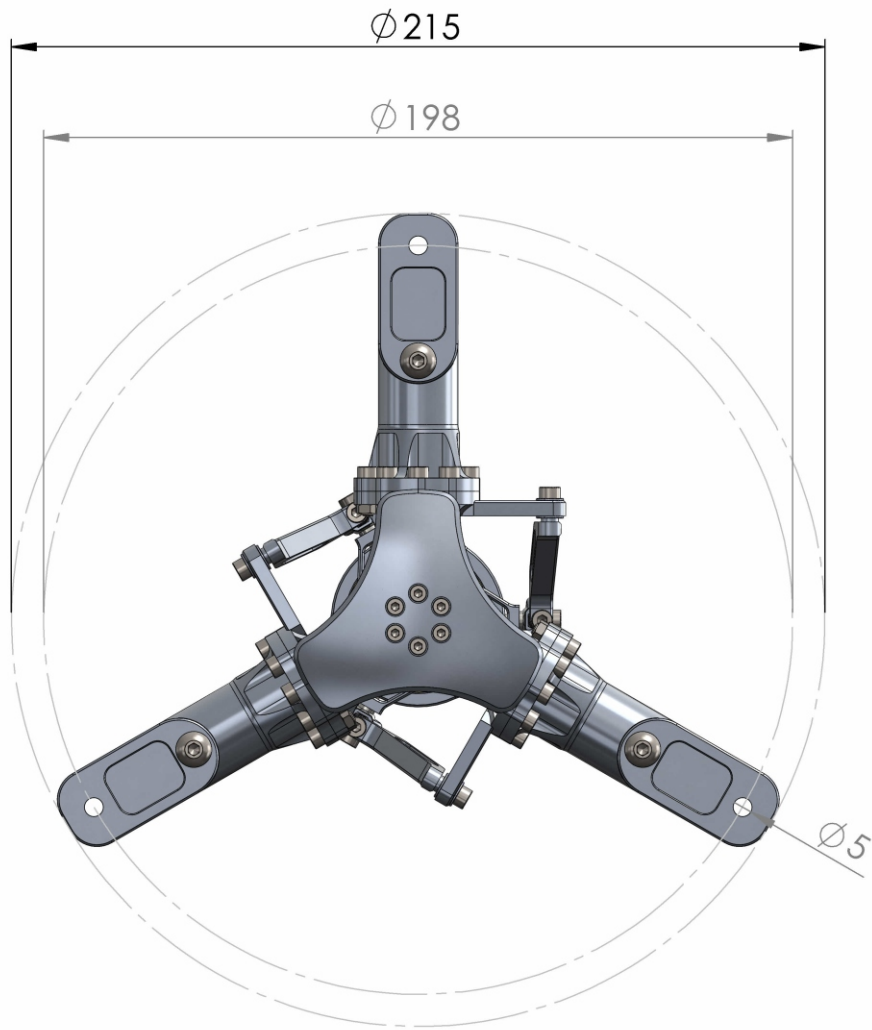
## Swash Plate Assembly



## Hub Assembly



# Drafting and Size



## Part List

Name	Pcs	Part number
Shaft 10x47	3	700-001
Grip arm	3	700-002
Grip root part	3	700-003
Washer 10x15x12	3	700-004
Grip center part	3	700-005
Blade grip	3	700-006
Linkage arm	3	700-007-R , 700-007-L
Swash plate up part	1	700/3-008
Swash plate down part	1	700-009
Swash plate center part	1	700-010
Head plate	1	700/3-011
Hub	1	700/3-012
Ball linkage M3	3	
O ring 10x1.8	3	
Washer 10x16x0.5	3	
Washer 3x4.6x0.2	3	
Washer 18x22x0.1	1	
Screw M6x10	3	
Screw M3x10	33	
Screw M3x25	3	
Screw M3x6	3	
Screw M2.5x14	10	
Screw M5x22 (ball head)	3	
Screw M5x25 (flat head)	3	
Nut M3	24	
Self-fixing nut M3	6	
Self-fixing nut M5	3	
Bearing 6800zz	3	
Bearing F10-18	3	
Bearing MR1016	3	
Bearing 61806zz	1	
Bearing MF63zz	6	
Bearing GE-12-C	1	